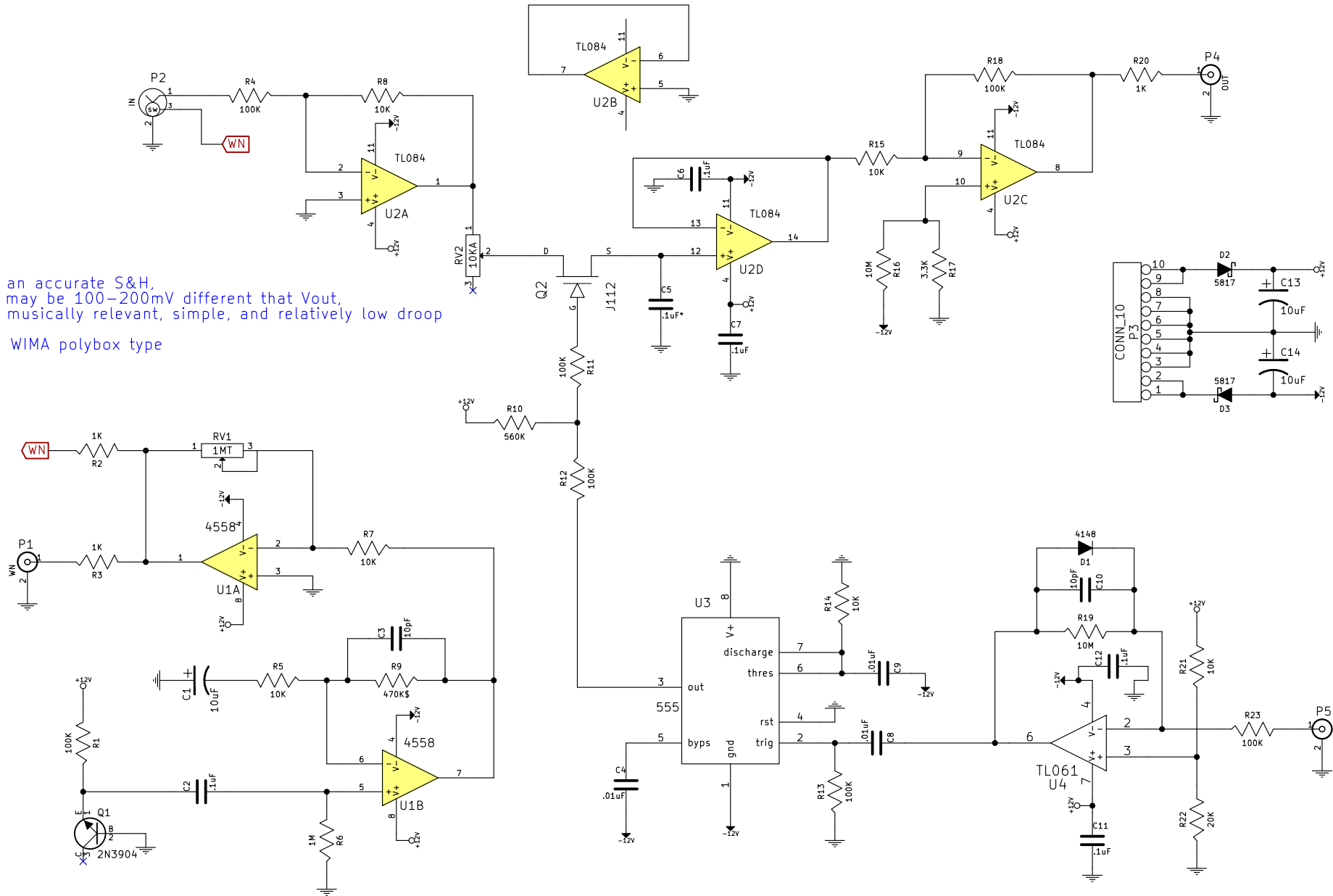


not an accurate S&H,
 Vin may be 100–200mV different that Vout,
 but musically relevant, simple, and relatively low droop
 *C5 WIMA polybox type



File: S&H.sch		Sheet: /	
Title:			
Size: A4	Date: 23 jul 2018	Rev:	
KiCad E.D.A.		Id: 1/1	