

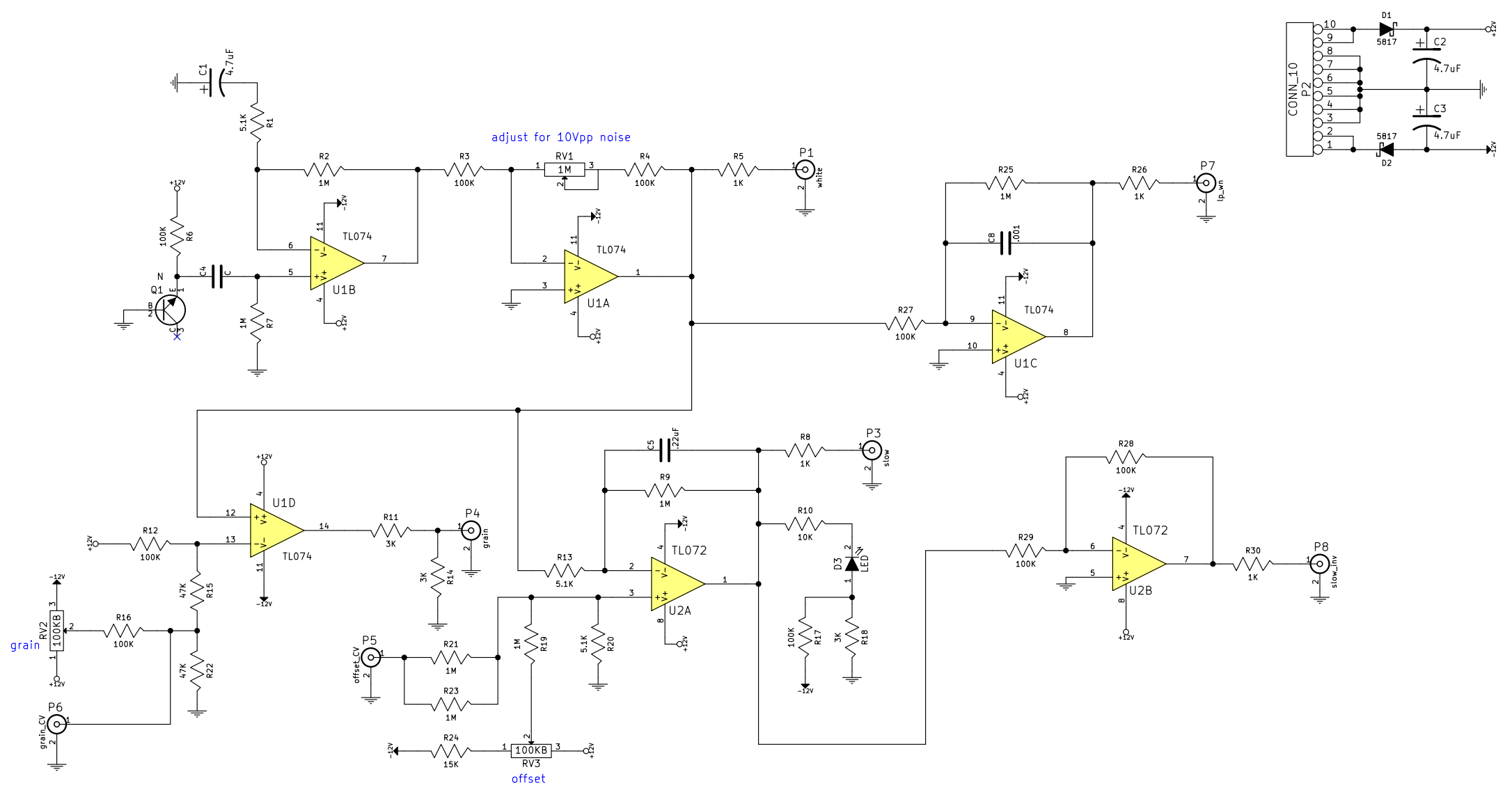
1 2 3 4 5 6

A

B

C

1 2 3 4 5 6



File: flux_v2_alt.sch		
Sheet: /		
Title:		
Size: User	Date: 1 feb 2017	Rev:
KiCad E.D.A.		Id: 1/1